




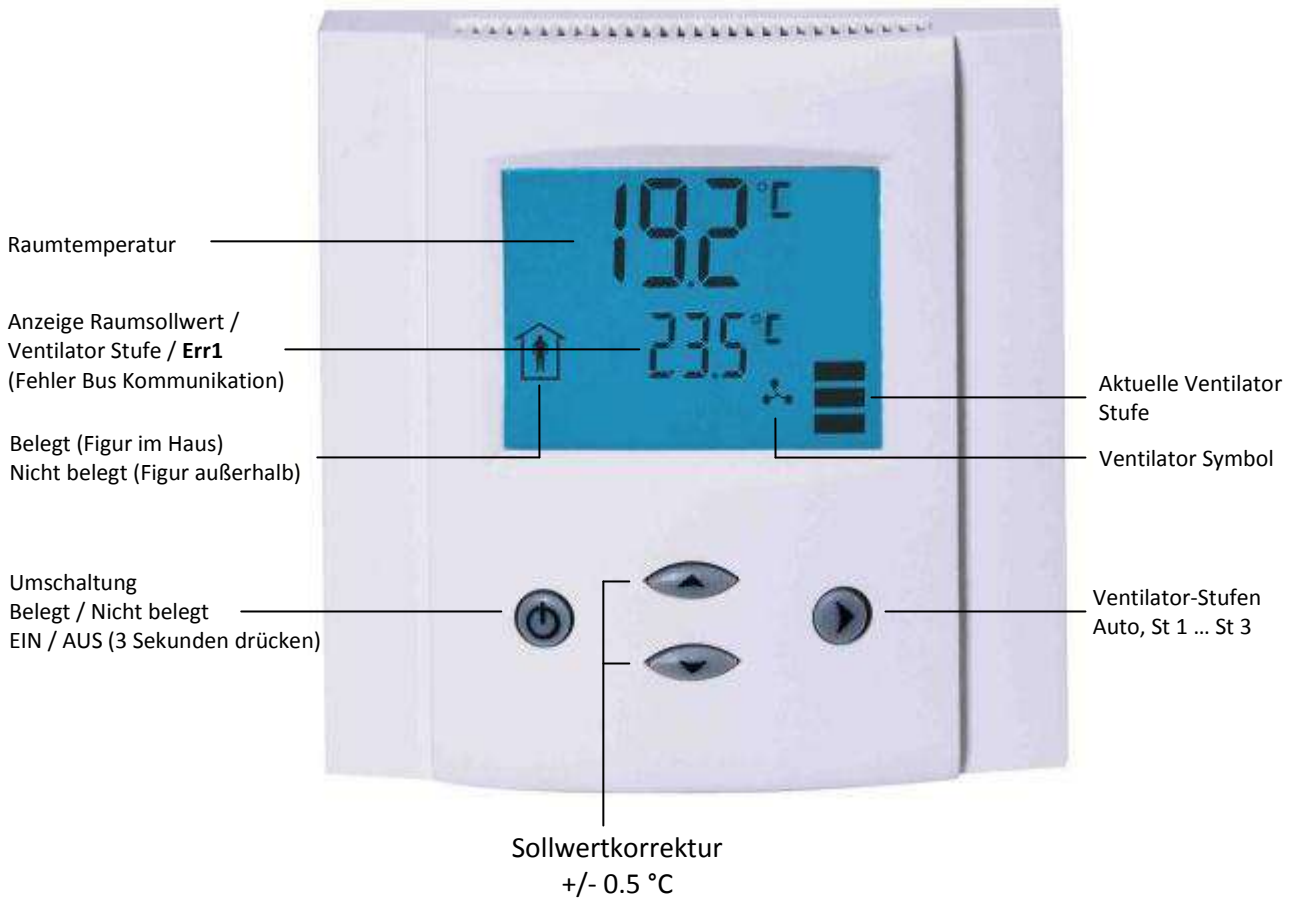
ELESTA
building automation



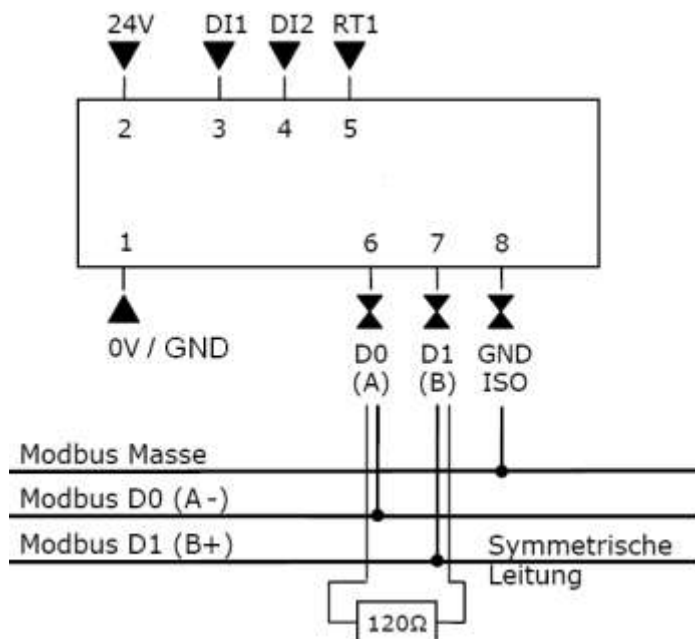
Raumbediengeräte
FBR916A02
FWH916A02



Raumbediengerät ohne Feuchte Fühler [mit Feuchte Fühler]



Anschlussschema



Abschlusswiderstand nur am letzten Gerät am Bus

Modbus RTU:

Baudrate: 19.200 bps
Datenbits: 8
Parity: Gerade
Stoppbits: 1

Register (Modbus 1. Version)

Register (ModbusRTU)

| | | |
|-------|-------|-------------------------------|
| 2000 | 2001 | Anlage EIN / AUS |
| 5004 | 5005 | Raumsollwert Tag |
| 5005 | 5006 | Raumsollwert Nacht |
| 10002 | 10003 | Interner Temperaturfühler |
| 10102 | 10103 | Feuchte |
| 10202 | 10203 | Externer Temperaturfühler |
| 2003 | 2004 | Aktuelle Ventilator Stufe |
| 10301 | 10302 | Digital Eingang 1 |
| 10401 | 10402 | Digital Eingang 2 |
| 2007 | 2008 | Heiz Symbol |
| 2008 | 2009 | Kühl Symbol |
| 2001 | 2002 | Belegt (1) / Nicht belegt (0) |
| 1030 | 1031 | Zeit (Stunde) |
| 1031 | 1032 | Zeit (Minute) |
| 1032 | 1033 | Zeit (Sekunde) |

Datenpunkte (nur ModbusRTU, Modbus 1. Version: Lesen der Variablen)

| | | | |
|------------------------|---|-----|----------------------------|
| 2B>dr sollwert_tag | | | |
| Sollwert_Tag | = | 235 | // Sollwert * 10 R/W |
| 2B>dr int_fühler_wert | | | |
| Int_Fühler_Wert | = | 192 | // Raumtemperatur * 10 R |
| 2B>dr ventilator_stufe | | | |
| Ventilator_Stufe | = | 3 | // Ventilator Stufe 3 R/W |
| 2B>dr heiz_symbol | | | |
| Heiz_Symbol | = | 1 | // Heizsymbol anzeigen R/W |
| 2B>dr belegt_symbol | | | |
| Belegt_Symbol | = | 1 | // Belegt anzeigen R/W |
| 2B>dr zeit_hh | | | |
| Zeit_hh | = | 10 | // Stunde R/W |
| 2B>dr zeit_mm | | | |
| Zeit_mm | = | 14 | // Minute R/W |
| 2B>dr zeit_ss | | | |
| Zeit_ss | = | 41 | // Sekunde R/W |



ModbusRTU

Training Aufbaukurs Einzelraumregler (Modbus RTU Master)

Slave Adresse: 2 FC05 unterstützen:
 Leserintervall: 1 FC06 unterstützen:
 Max. Anz. DP lesen: 10
 Max. Anz. DP schreiben: 1

Discrete Inputs | Cole | Input Register | Holding Register

| MOD Datenpunkt | Start Register | Typ | Little Endian Byte Anordnung | Little Endian Wort Anordnung | Lesen freigeben | Leserintervall | Schreiben freigeben | Schreibintervall | Divisor |
|------------------------------|----------------|---------|------------------------------|------------------------------|-------------------------------------|----------------|-------------------------------------|------------------|---------|
| Bus_Adresse | 1004 | Uint-16 | <input type="checkbox"/> | <input type="checkbox"/> | <input checked="" type="checkbox"/> | -1 | <input checked="" type="checkbox"/> | 0 | 1 |
| Bus_Baudrate | 1005 | Uint-16 | <input type="checkbox"/> | <input type="checkbox"/> | <input checked="" type="checkbox"/> | -1 | <input type="checkbox"/> | | 1 |
| Ventilator | 1009 | Uint-16 | <input type="checkbox"/> | <input type="checkbox"/> | <input checked="" type="checkbox"/> | -1 | <input checked="" type="checkbox"/> | 0 | 1 |
| Belegt_Nicht_belegt_änderbar | 1012 | Uint-16 | <input type="checkbox"/> | <input type="checkbox"/> | <input checked="" type="checkbox"/> | -1 | <input checked="" type="checkbox"/> | 0 | 1 |
| Idle_Timeout | 1017 | Uint-16 | <input type="checkbox"/> | <input type="checkbox"/> | <input checked="" type="checkbox"/> | -1 | <input checked="" type="checkbox"/> | 0 | 1 |
| Idle_Freigabe | 1018 | Uint-16 | <input type="checkbox"/> | <input type="checkbox"/> | <input checked="" type="checkbox"/> | -1 | <input checked="" type="checkbox"/> | 0 | 1 |
| Zeit_hh | 1031 | Uint-16 | <input type="checkbox"/> | <input type="checkbox"/> | <input checked="" type="checkbox"/> | -1 | <input checked="" type="checkbox"/> | 0 | 1 |
| Zeit_mm | 1032 | Uint-16 | <input type="checkbox"/> | <input type="checkbox"/> | <input checked="" type="checkbox"/> | -1 | <input checked="" type="checkbox"/> | 0 | 1 |
| Zeit_ss | 1033 | Uint-16 | <input type="checkbox"/> | <input type="checkbox"/> | <input checked="" type="checkbox"/> | -1 | <input checked="" type="checkbox"/> | 0 | 1 |
| Anlagen_Modus | 2001 | Uint-16 | <input type="checkbox"/> | <input type="checkbox"/> | <input checked="" type="checkbox"/> | -1 | <input checked="" type="checkbox"/> | 0 | 1 |
| Betriebsart | 2002 | Uint-16 | <input type="checkbox"/> | <input type="checkbox"/> | <input checked="" type="checkbox"/> | -1 | <input checked="" type="checkbox"/> | 0 | 1 |
| Ventilatorstule | 2004 | Uint-16 | <input type="checkbox"/> | <input type="checkbox"/> | <input checked="" type="checkbox"/> | -1 | <input type="checkbox"/> | | 1 |
| Ventilator_Symbol | 2005 | Uint-16 | <input type="checkbox"/> | <input type="checkbox"/> | <input checked="" type="checkbox"/> | -1 | <input checked="" type="checkbox"/> | 0 | 1 |
| Heiz_Symbol | 2008 | Uint-16 | <input type="checkbox"/> | <input type="checkbox"/> | <input checked="" type="checkbox"/> | -1 | <input checked="" type="checkbox"/> | 0 | 1 |
| Kühl_Symbol | 2009 | Uint-16 | <input type="checkbox"/> | <input type="checkbox"/> | <input checked="" type="checkbox"/> | -1 | <input checked="" type="checkbox"/> | 0 | 1 |
| Belegt_Symbol | 2010 | Uint-16 | <input type="checkbox"/> | <input type="checkbox"/> | <input checked="" type="checkbox"/> | -1 | <input checked="" type="checkbox"/> | 0 | 1 |
| Nicht_Belegt_Symbol | 2011 | Uint-16 | <input type="checkbox"/> | <input type="checkbox"/> | <input checked="" type="checkbox"/> | -1 | <input checked="" type="checkbox"/> | 0 | 1 |
| Symbolstatus_AUS | 3004 | Uint-16 | <input type="checkbox"/> | <input type="checkbox"/> | <input checked="" type="checkbox"/> | -1 | <input type="checkbox"/> | | 1 |
| Test_AUS1 | 3005 | Uint-16 | <input type="checkbox"/> | <input type="checkbox"/> | <input checked="" type="checkbox"/> | -1 | <input checked="" type="checkbox"/> | 0 | 1 |
| Test_AUS2 | 3006 | Uint-16 | <input type="checkbox"/> | <input type="checkbox"/> | <input checked="" type="checkbox"/> | -1 | <input checked="" type="checkbox"/> | 0 | 1 |
| Test_AUS3 | 3007 | Uint-16 | <input type="checkbox"/> | <input type="checkbox"/> | <input checked="" type="checkbox"/> | -1 | <input checked="" type="checkbox"/> | 0 | 1 |
| Test_AUS4 | 3008 | Uint-16 | <input type="checkbox"/> | <input type="checkbox"/> | <input checked="" type="checkbox"/> | -1 | <input checked="" type="checkbox"/> | 0 | 1 |
| Große_Anzeige_Idle | 4001 | Uint-16 | <input type="checkbox"/> | <input type="checkbox"/> | <input checked="" type="checkbox"/> | -1 | <input checked="" type="checkbox"/> | 0 | 1 |
| Kleine_Anzeige_Idle | 4002 | Uint-16 | <input type="checkbox"/> | <input type="checkbox"/> | <input checked="" type="checkbox"/> | -1 | <input checked="" type="checkbox"/> | 0 | 1 |
| Große_Anzeige_Betrieb | 5001 | Uint-16 | <input type="checkbox"/> | <input type="checkbox"/> | <input checked="" type="checkbox"/> | -1 | <input checked="" type="checkbox"/> | 0 | 1 |
| Anzeigeeinheit | 5003 | Uint-16 | <input type="checkbox"/> | <input type="checkbox"/> | <input checked="" type="checkbox"/> | -1 | <input type="checkbox"/> | | 1 |
| Kleine_Anzeige_Betrieb | 5004 | Uint-16 | <input type="checkbox"/> | <input type="checkbox"/> | <input checked="" type="checkbox"/> | -1 | <input type="checkbox"/> | | 1 |
| Solliest_Tag | 5005 | Sint-16 | <input type="checkbox"/> | <input type="checkbox"/> | <input checked="" type="checkbox"/> | -1 | <input checked="" type="checkbox"/> | 0 | 10 |
| Solliest_Nacht | 5006 | Sint-16 | <input type="checkbox"/> | <input type="checkbox"/> | <input checked="" type="checkbox"/> | -1 | <input checked="" type="checkbox"/> | 0 | 10 |
| Solliest_Slope | 5007 | Sint-16 | <input type="checkbox"/> | <input type="checkbox"/> | <input checked="" type="checkbox"/> | -1 | <input checked="" type="checkbox"/> | 0 | 10 |
| Solliest_UG | 5008 | Sint-16 | <input type="checkbox"/> | <input type="checkbox"/> | <input checked="" type="checkbox"/> | -1 | <input checked="" type="checkbox"/> | 0 | 10 |
| Solliest_0G | 5009 | Sint-16 | <input type="checkbox"/> | <input type="checkbox"/> | <input checked="" type="checkbox"/> | -1 | <input checked="" type="checkbox"/> | 0 | 10 |
| Balken | 5010 | Uint-8 | <input type="checkbox"/> | <input type="checkbox"/> | <input checked="" type="checkbox"/> | -1 | <input checked="" type="checkbox"/> | 0 | 1 |
| Internet_Sensord_Freigabe | 10001 | Uint-16 | <input type="checkbox"/> | <input type="checkbox"/> | <input checked="" type="checkbox"/> | -1 | <input checked="" type="checkbox"/> | 0 | 1 |
| Int_Sensor_Status | 10002 | Uint-16 | <input type="checkbox"/> | <input type="checkbox"/> | <input checked="" type="checkbox"/> | -1 | <input type="checkbox"/> | | 1 |
| Internet_Temperaturfühler | 10003 | Sint-16 | <input type="checkbox"/> | <input type="checkbox"/> | <input checked="" type="checkbox"/> | -1 | <input type="checkbox"/> | | 10 |
| Int_Sensor_Offset | 10004 | Sint-16 | <input type="checkbox"/> | <input type="checkbox"/> | <input checked="" type="checkbox"/> | -1 | <input checked="" type="checkbox"/> | 0 | 10 |
| Freigabe_3_Leuchte | 10101 | Uint-16 | <input type="checkbox"/> | <input type="checkbox"/> | <input checked="" type="checkbox"/> | -1 | <input checked="" type="checkbox"/> | 0 | 1 |
| Freigabe_3_Leuchte | 10102 | Uint-16 | <input type="checkbox"/> | <input type="checkbox"/> | <input checked="" type="checkbox"/> | -1 | <input type="checkbox"/> | | 1 |
| Freigabe_3_Leuchte | 10103 | Sint-16 | <input type="checkbox"/> | <input type="checkbox"/> | <input checked="" type="checkbox"/> | -1 | <input type="checkbox"/> | | 10 |
| Freigabe_3_Leuchte | 10104 | Sint-16 | <input type="checkbox"/> | <input type="checkbox"/> | <input checked="" type="checkbox"/> | -1 | <input checked="" type="checkbox"/> | 0 | 10 |
| Ext_Sensor_Freigabe | 10201 | Uint-16 | <input type="checkbox"/> | <input type="checkbox"/> | <input checked="" type="checkbox"/> | -1 | <input checked="" type="checkbox"/> | 0 | 1 |
| Ext_Sensor_Status | 10202 | Uint-16 | <input type="checkbox"/> | <input type="checkbox"/> | <input checked="" type="checkbox"/> | -1 | <input type="checkbox"/> | | 1 |
| Ext_Sensor_Wert | 10203 | Sint-16 | <input type="checkbox"/> | <input type="checkbox"/> | <input checked="" type="checkbox"/> | -1 | <input type="checkbox"/> | | 10 |
| Ext_Sensor_Offset | 10204 | Sint-16 | <input type="checkbox"/> | <input type="checkbox"/> | <input checked="" type="checkbox"/> | -1 | <input checked="" type="checkbox"/> | 0 | 10 |
| Schalter1 | 10302 | Uint-16 | <input type="checkbox"/> | <input type="checkbox"/> | <input checked="" type="checkbox"/> | -1 | <input type="checkbox"/> | | 1 |
| Schalter2 | 10402 | Uint-16 | <input type="checkbox"/> | <input type="checkbox"/> | <input checked="" type="checkbox"/> | -1 | <input checked="" type="checkbox"/> | 0 | 1 |
| Vent_Sting11 | 11001 | Uint-16 | <input type="checkbox"/> | <input type="checkbox"/> | <input checked="" type="checkbox"/> | -1 | <input checked="" type="checkbox"/> | 0 | 1 |
| Vent_Sting12 | 11002 | Uint-16 | <input type="checkbox"/> | <input type="checkbox"/> | <input checked="" type="checkbox"/> | -1 | <input checked="" type="checkbox"/> | 0 | 1 |
| Vent_Sting13 | 11003 | Uint-16 | <input type="checkbox"/> | <input type="checkbox"/> | <input checked="" type="checkbox"/> | -1 | <input checked="" type="checkbox"/> | 0 | 1 |
| Vent_Sting14 | 11004 | Uint-16 | <input type="checkbox"/> | <input type="checkbox"/> | <input checked="" type="checkbox"/> | -1 | <input checked="" type="checkbox"/> | 0 | 1 |
| Vent_Sting21 | 11005 | Uint-16 | <input type="checkbox"/> | <input type="checkbox"/> | <input checked="" type="checkbox"/> | -1 | <input checked="" type="checkbox"/> | 0 | 1 |
| Vent_Sting22 | 11006 | Uint-16 | <input type="checkbox"/> | <input type="checkbox"/> | <input checked="" type="checkbox"/> | -1 | <input checked="" type="checkbox"/> | 0 | 1 |
| Vent_Sting23 | 11007 | Uint-16 | <input type="checkbox"/> | <input type="checkbox"/> | <input checked="" type="checkbox"/> | -1 | <input checked="" type="checkbox"/> | 0 | 1 |
| Vent_Sting24 | 11008 | Uint-16 | <input type="checkbox"/> | <input type="checkbox"/> | <input checked="" type="checkbox"/> | -1 | <input checked="" type="checkbox"/> | 0 | 1 |
| Vent_Sting31 | 11009 | Uint-16 | <input type="checkbox"/> | <input type="checkbox"/> | <input checked="" type="checkbox"/> | -1 | <input checked="" type="checkbox"/> | 0 | 1 |
| Vent_Sting32 | 11010 | Uint-16 | <input type="checkbox"/> | <input type="checkbox"/> | <input checked="" type="checkbox"/> | -1 | <input checked="" type="checkbox"/> | 0 | 1 |
| Vent_Sting33 | 11011 | Uint-16 | <input type="checkbox"/> | <input type="checkbox"/> | <input checked="" type="checkbox"/> | -1 | <input checked="" type="checkbox"/> | 0 | 1 |
| Vent_Sting34 | 11012 | Uint-16 | <input type="checkbox"/> | <input type="checkbox"/> | <input checked="" type="checkbox"/> | -1 | <input checked="" type="checkbox"/> | 0 | 1 |
| Vent_Sting41 | 11013 | Uint-16 | <input type="checkbox"/> | <input type="checkbox"/> | <input checked="" type="checkbox"/> | -1 | <input checked="" type="checkbox"/> | 0 | 1 |
| Vent_Sting42 | 11014 | Uint-16 | <input type="checkbox"/> | <input type="checkbox"/> | <input checked="" type="checkbox"/> | -1 | <input checked="" type="checkbox"/> | 0 | 1 |
| Vent_Sting43 | 11015 | Uint-16 | <input type="checkbox"/> | <input type="checkbox"/> | <input checked="" type="checkbox"/> | -1 | <input checked="" type="checkbox"/> | 0 | 1 |
| Vent_Sting44 | 11016 | Uint-16 | <input type="checkbox"/> | <input type="checkbox"/> | <input checked="" type="checkbox"/> | -1 | <input checked="" type="checkbox"/> | 0 | 1 |

Modbus 1. Version

Bediengerät 1:15:COM4 (Modbus)

Name: Handshake:

Port: COM4 Echo:

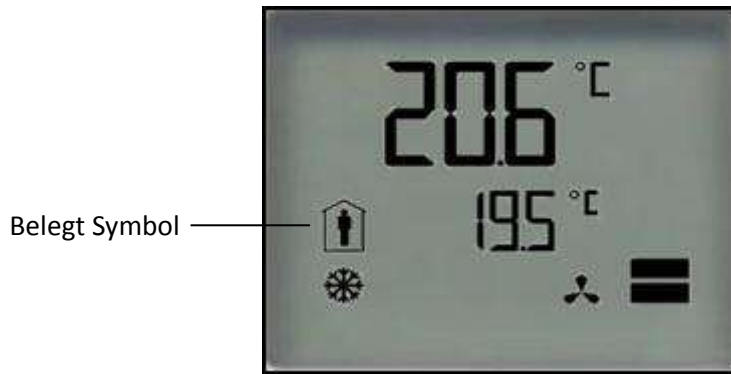
Baudrate: 19200 Parity:

Datenbits: Protokoll:

Stopbits: 1 Fehlerzustand:

FC 03 FC 06 / Aus

| Name | Slave Adresse | DP Adresse | Anzahl Register | Lesefunktion | Schreibfunktion | Modbus Typ | Info |
|---------------------|---------------|------------|-----------------|------------------------|-----------------------|------------|-------------------------------|
| Bus_Adresse | 1 | 1003 | 1 | Read multiple register | Write single register | UINT16 | 1 ... 255 |
| Bus_Baudrate | 1 | 1004 | 1 | Read multiple register | Write single register | UINT16 | 0, 1, 2, 3, 4 |
| Funktion | 1 | 1008 | 1 | Read multiple register | Write single register | UINT16 | 0, 1 |
| Belegt_änderbar | 1 | 1011 | 1 | Read multiple register | Write single register | UINT16 | 0, 1 |
| Idle_Timeout | 1 | 1016 | 1 | Read multiple register | Write single register | UINT16 | Sekunden |
| Idle_Freigabe | 1 | 1017 | 1 | Read multiple register | Write single register | UINT16 | 0, 1 |
| Zeit_hh | 1 | 1030 | 1 | Read multiple register | Write single register | SINT16 | 0 ... 23 |
| Zeit_mm | 1 | 1031 | 1 | Read multiple register | Write single register | SINT16 | 0 ... 59 |
| Zeit_ss | 1 | 1031 | 1 | Read multiple register | Write single register | SINT16 | 0 ... 59 |
| Anlagenmodus | 1 | 2000 | 1 | Read multiple register | Write single register | UINT16 | 0, 1 |
| Betriebsart | 1 | 2001 | 1 | Read multiple register | Write single register | UINT16 | 0, 1 |
| Ventilator_Stufe | 1 | 2003 | 1 | Read multiple register | Write single register | UINT16 | 0, 1, 2, 3 |
| Ventilator_Symbol | 1 | 2004 | 1 | Read multiple register | Write single register | UINT16 | 0, 1 |
| Heiz_Symbol | 1 | 2007 | 1 | Read multiple register | Write single register | UINT16 | 0, 1 |
| Kühl_Symbol | 1 | 2009 | 1 | Read multiple register | Write single register | UINT16 | 0, 1 |
| Belegt_Symbol | 1 | 2009 | 1 | Read multiple register | Write single register | UINT16 | 0, 1 |
| Nichtbelegt_Symbol | 1 | 2010 | 1 | Read multiple register | Write single register | UINT16 | 0, 1 |
| TextAUS1 | 1 | 3004 | 1 | Read multiple register | Write single register | UINT16 | ASCII |
| TextAUS2 | 1 | 3005 | 1 | Read multiple register | Write single register | UINT16 | ASCII |
| TextAUS3 | 1 | 3006 | 1 | Read multiple register | Write single register | UINT16 | ASCII |
| TextAUS4 | 1 | 3007 | 1 | Read multiple register | Write single register | UINT16 | ASCII |
| Große_Anzeige_Idle | 1 | 4000 | 1 | Read multiple register | Write single register | UINT16 | 0 ... 18 |
| Kleine_Anzeige_Idle | 1 | 4001 | 1 | Read multiple register | Write single register | UINT16 | 0 ... 18 |
| Große_Anzeige | 1 | 5000 | 1 | Read multiple register | Write single register | UINT16 | 0, 1, 2, 3, 4, 5, 6, 7, 8, 9 |
| Anzeige_Einheit | 1 | 5002 | 1 | Read multiple register | Write single register | UINT16 | 0, 1, 2, 3 |
| Kleine_Anzeige | 1 | 5003 | 1 | Read multiple register | Write single register | UINT16 | 0, 1, 2, 3, 4, 5, 6, 7, 8, 9 |
| Sollwert_Tag | 1 | 5004 | 1 | Read multiple register | Write single register | SINT16 | z.B. 205 (20.5) |
| Sollwert_Nacht | 1 | 5005 | 1 | Read multiple register | Write single register | SINT16 | z.B. 180 (18.0) |
| Sollwert_Steps | 1 | 5006 | 1 | Read multiple register | Write single register | SINT16 | z.B. 5 (0.5) |
| Sollwert_UG | 1 | 5007 | 1 | Read multiple register | Write single register | SINT16 | z.B. 160 (16.0) |
| Sollwert_DG | 1 | 5008 | 1 | Read multiple register | Write single register | SINT16 | z.B. 300 (30.0) |
| Balken | 1 | 5009 | 1 | Read multiple register | Write single register | UINT8 | 0 ... 100 |
| Int_Sensor_Freigabe | 1 | 10000 | 1 | Read multiple register | Write single register | UINT16 | 0, 1 |
| Int_Sensor_Status | 1 | 10001 | 1 | Read multiple register | Aus | UINT16 | 0, 1 |
| Int_Sensor_Wert | 1 | 10002 | 1 | Read multiple register | Aus | SINT16 | z.B. 214 (21.4) |
| Int_Sensor_Offset | 1 | 10003 | 1 | Read multiple register | Write single register | SINT16 | -127 ... 127 (-12.7 ... 12.7) |
| Heizung_Freigabe | 1 | 10100 | 1 | Read multiple register | Write single register | UINT16 | 0, 1 |
| Heizung_Status | 1 | 10101 | 1 | Read multiple register | Aus | UINT16 | 0, 1 |
| Heizung_Wert | 1 | 10102 | 1 | Read multiple register | Aus | SINT16 | z.B. 405 (40.5) |
| Heizung_Offset | 1 | 10103 | 1 | Read multiple register | Write single register | SINT16 | -127 ... 127 (-12.7 ... 12.7) |
| Ext_Sensor_Freigabe | 1 | 10200 | 1 | Read multiple register | Write single register | UINT16 | 0, 1 |
| Ext_Sensor_Status | 1 | 10201 | 1 | Read multiple register | Aus | UINT16 | 0, 1 |
| Ext_Sensor_Wert | 1 | 10202 | 1 | Read multiple register | Aus | SINT16 | z.B. 203 (20.3) |
| Ext_Sensor_Offset | 1 | 10203 | 1 | Read multiple register | Write single register | SINT16 | -127 ... 127 (-12.7 ... 12.7) |
| Schalter1 | 1 | 10301 | 1 | Read multiple register | Aus | UINT16 | 0, 1 |
| Schalter2 | 1 | 10401 | 1 | Read multiple register | Aus | UINT16 | 0, 1 |
| VentString11 | 1 | 11000 | 1 | Read multiple register | Write single register | UINT16 | ASCII |
| VentString12 | 1 | 11001 | 1 | Read multiple register | Write single register | UINT16 | ASCII |
| VentString13 | 1 | 11002 | 1 | Read multiple register | Write single register | UINT16 | ASCII |
| VentString14 | 1 | 11003 | 1 | Read multiple register | Write single register | UINT16 | ASCII |
| VentString21 | 1 | 11004 | 1 | Read multiple register | Write single register | UINT16 | ASCII |
| VentString22 | 1 | 11005 | 1 | Read multiple register | Write single register | UINT16 | ASCII |
| VentString23 | 1 | 11006 | 1 | Read multiple register | Write single register | UINT16 | ASCII |
| VentString24 | 1 | 11007 | 1 | Read multiple register | Write single register | UINT16 | ASCII |
| VentString31 | 1 | 11008 | 1 | Read multiple register | Write single register | UINT16 | ASCII |
| VentString32 | 1 | 11009 | 1 | Read multiple register | Write single register | UINT16 | ASCII |
| VentString33 | 1 | 11010 | 1 | Read multiple register | Write single register | UINT16 | ASCII |
| VentString34 | 1 | 11011 | 1 | Read multiple register | Write single register | UINT16 | ASCII |
| VentString41 | 1 | 11012 | 1 | Read multiple register | Write single register | UINT16 | ASCII |
| VentString42 | 1 | 11013 | 1 | Read multiple register | Write single register | UINT16 | ASCII |
| VentString43 | 1 | 11014 | 1 | Read multiple register | Write single register | UINT16 | ASCII |
| VentString44 | 1 | 11015 | 1 | Read multiple register | Write single register | UINT16 | ASCII |



_____ Kühl Symbol



_____ Heiz Symbol



_____ Zeit Symbol



_____ Alarm Symbol



_____ Übersteuerungs-Symbol



_____ Nicht belegt Symbol

Err1

_____ Bus Kommunikationsfehler

Err2

_____ Der gewählte Sensor ist funktionsunfähig oder fehlt

NA

_____ Der gewählte Sensor ist nicht freigegeben

No

_____ Die Änderung des Wertes ist nicht freigegeben

ModbusRTU Register (Modbus 1. Version: Adresse - 1, FC 03 / FC 06)

| Adresse | Typ | R/W | Bedeutung | Mögliche Werte (Standard) (ELESTA) |
|-------------|--------|-----|--------------------------------|---|
| 1004 (1003) | UINT16 | R/W | Bus Adresse | 1 – 247 (max. 32 Geräte pro Controller) |
| 1005 (1004) | UINT16 | R/W | Baudrate | 0: 19200 1: 4800 2: 9600 3: 19200 4: 38400 |
| 1009 (1008) | UINT16 | R/W | Funktion | 0: Mit Ventilator 1: Ohne Ventilator |
| 1012 (1011) | UINT16 | R/W | Belegt / Nicht belegt änderbar | 0: Gesperrt 1: Freigegeben |
| 1017 (1016) | UINT16 | R/W | Idle Timeout | Sekunden (30) |
| 1018 (1017) | UINT16 | R/W | Idle Freigabe | 0: Gesperrt 1: Freigegeben |
| 1031 (1030) | SINT16 | R/W | Zeit (Stunde) | 0 ... 23 |
| 1032 (1031) | SINT16 | R/W | Zeit (Minute) | 0 ... 59 |
| 1033 (1032) | SINT16 | R/W | Zeit (Sekunde) | 0 ... 59 |

| Adresse | Typ | R/W | Bedeutung | Mögliche Werte (Standard) (ELESTA) |
|-------------|--------|-----|------------------------------|--|
| 2001 (2000) | UINT16 | R/W | Anlagenmodus | 0: AUS 1: EIN |
| 2002 (2001) | UINT16 | R/W | Betriebsmodus | 0: Nicht belegt 1: Belegt |
| 2004 (2003) | UINT16 | R/W | Ventilator Stufe | 0: Auto 1: Stufe 1 2: Stufe 2 3: Stufe 3 |
| 2005 (2004) | UINT16 | R/W | Ventilator Symbol | 0: Symbol nicht anzeigen 1: Symbol anzeigen |
| 2006 (2005) | UINT16 | R/W | Alarm Symbol | 0: Symbol nicht anzeigen 1: Symbol anzeigen |
| 2007 (2006) | UINT16 | R/W | Alarm String | 0: String nicht anzeigen 1: String anzeigen |
| 2008 (2007) | UINT16 | R/W | Heiz Symbol | 0: Symbol nicht anzeigen 1: Symbol anzeigen |
| 2009 (2008) | UINT16 | R/W | Kühl Symbol | 0: Symbol nicht anzeigen 1: Symbol anzeigen |
| 2010 (2009) | UINT16 | R/W | Belegt Symbol | 0: Symbol nicht anzeigen 1: Symbol anzeigen |
| 2011 (2010) | UINT16 | R/W | Nicht belegt Symbol | 0: Symbol nicht anzeigen 1: Symbol anzeigen |
| 2012 (2011) | UINT16 | R/W | Pfeil Symbol | 0 ... 10 |
| 2013 (2012) | UINT16 | R/W | Text Alarm Zeichen 1 | 32 " " 32 " " |
| 2014 (2013) | UINT16 | R/W | Text Alarm Zeichen 2 | 65 "A" 65 "A" |
| 2015 (2014) | UINT16 | R/W | Text Alarm Zeichen 3 | 76 "L" 76 "L" |
| 2016 (2015) | UINT16 | R/W | Text Alarm Zeichen 4 | 65 "A" 65 "A" |
| 2017 (2016) | UINT16 | R/W | Anzeige des Alarm Strings | 0: nicht anzeigen 1: große Anzeige 2: kleine Anzeige |
| 2018 (2017) | UINT16 | R/W | Zeit Symbol | 0: Symbol nicht anzeigen 1: Symbol anzeigen |
| 2019 (2018) | UINT16 | R/W | Übersteuerungs- Symbol | 0: Symbol nicht anzeigen 1: Symbol anzeigen |

Anzeigen im AUS Modus (Taste  gedrückt)

| Adresse | Typ | R/W | Bedeutung | Mögliche Werte (Standard) (ELESTA) |
|-------------|--------|-----|------------------------------------|---|
| 3001 (3000) | UINT16 | R/W | Große Anzeige im AUS Mode (oben) | 0: Nichts anzeigen 1: - 2: Wert 3: Sollwert 4: - 5: - 6: - 7: - 8: - 9: - 10: - 11: - 12: Zeit 13: Alarm Text 14: <u>Interner Temperaturfühler</u> 15: <u>Externer Temperaturfühler</u> 16: <u>Feuchte Wert</u> 17: Digital Eingang 1 18: Digital Eingang 2 |
| 3002 (3001) | UINT16 | R/W | Kleine Anzeige im AUS Mode (unten) | 0: Nichts anzeigen 1: Text String AUS 2: Wert <u>3: Sollwert</u> 4: - 5: - 6: - 7: - 8: - 9: - 10: - 11: - 12: Zeit 13: Alarm Text 14: Interner Temperaturfühler 15: Externer Temperaturfühler 16: <u>Feuchte Wert</u> 17: Digital Eingang 1 18: Digital Eingang 2 |

| Adresse | Typ | R/W | Bedeutung | Mögliche Werte (Standard) (ELESTA) | | | | | | | | | | | | |
|--------------------------|---------|-----|--------------------------------|--|-----|---------|---------------|---|----------|---|--------------------|---|--------------------------|---|-----------|---|
| 3003 (3002) | UINT16 | R/W | Balken Anzeige | 0: Leer 1: 10 % 2: 20 % 3: 30 % 4: 40 % 5: 50 % | | | | | | | | | | | | |
| 3004 (3003) | UINT16 | R/W | Status der Symbole im AUS Mode | <table border="0"> <thead> <tr> <th>Bit</th> <th>Vorgabe</th> </tr> </thead> <tbody> <tr> <td>0: Ventilator</td> <td>0</td> </tr> <tr> <td>1: Alarm</td> <td>1</td> </tr> <tr> <td>2: Heizen / Kühlen</td> <td>1</td> </tr> <tr> <td>3: Belegt / Nicht belegt</td> <td>0</td> </tr> <tr> <td>4: Pfeile</td> <td>1</td> </tr> </tbody> </table> | Bit | Vorgabe | 0: Ventilator | 0 | 1: Alarm | 1 | 2: Heizen / Kühlen | 1 | 3: Belegt / Nicht belegt | 0 | 4: Pfeile | 1 |
| Bit | Vorgabe | | | | | | | | | | | | | | | |
| 0: Ventilator | 0 | | | | | | | | | | | | | | | |
| 1: Alarm | 1 | | | | | | | | | | | | | | | |
| 2: Heizen / Kühlen | 1 | | | | | | | | | | | | | | | |
| 3: Belegt / Nicht belegt | 0 | | | | | | | | | | | | | | | |
| 4: Pfeile | 1 | | | | | | | | | | | | | | | |
| 3005 (3004) | UINT16 | R/W | Text OFF / AUS Zeichen 1 | 32 " " <u>32</u> " " | | | | | | | | | | | | |
| 3006 (3005) | UINT16 | R/W | Text OFF / AUS Zeichen 2 | 79 "O" <u>65</u> "A" | | | | | | | | | | | | |
| 3007 (3006) | UINT16 | R/W | Text OFF / AUS Zeichen 3 | 70 "F" <u>85</u> "U" | | | | | | | | | | | | |
| 3008 (3007) | UINT16 | R/W | Text OFF / AUS Zeichen 4 | 70 "F" <u>83</u> "S" | | | | | | | | | | | | |

| Anzeigen im Idle Modus | | | | |
|------------------------|--------|-----|-------------------------------------|---|
| Adresse | Typ | R/W | Bedeutung | Mögliche Werte (Standard) (ELESTA) |
| 4001 (4000) | UINT16 | R/W | Große Anzeige im Idle Mode (oben) | 0: Nichts anzeigen 1: - 2: Wert 3: Sollwert 4: - 5: - 6: - 7: - 8: - 9: - 10: - 11: - 12: Zeit 13: Alarm Text <u>14: Interner Temperaturfühler</u> <u>15: Externer Temperaturfühler</u> 16: Feuchte Wert 17: Digital Eingang 1 18: Digital Eingang 2 |
| 4002 (4001) | UINT16 | R/W | Kleine Anzeige im Idle Mode (unten) | 0: Nichts anzeigen 1: - 2: Wert 3: Sollwert 4: - 5: - 6: - 7: - 8: - 9: - 10: - 11: - 12: Zeit 13: Alarm Text 14: Interner Temperaturfühler 15: Externer Temperaturfühler 16: Feuchte Wert 17: Digital Eingang 1 18: Digital Eingang 2 |
| 4003 (4002) | UINT16 | R/W | Balken Anzeige | 0: Leer 1: 10 % 2: 20 % 3: 30 % 4: 40 % 5: 50 % |

| Adresse | Typ | R/W | Bedeutung | Mögliche Werte (Standard) (ELESTA) |
|-------------|--------|-----|----------------------------|---|
| 4004 (4004) | UINT16 | R/W | Text ON / EIN Zeichen 1 | 32 " " <u>32</u> " " |
| 4005 (4005) | UINT16 | R/W | Text ON / EIN Zeichen 2 | 79 "O" <u>69</u> "E" |
| 4006 (4006) | UINT16 | R/W | Text ON / EIN Zeichen 3 | 78 "N" <u>73</u> "I" |
| 4007 (3007) | UINT16 | R/W | Text ON / EIN Zeichen 4 | 32 " " <u>78</u> "N" |

| Anzeigen im Betriebsmodus | | | | |
|---------------------------|--------|-----|-----------------------------|---|
| Adresse | Typ | R/W | Bedeutung | Mögliche Werte (Standard) (ELESTA) |
| 5001 (5000) | UINT16 | R/W | Große Anzeige (oben) | 0: Nichts anzeigen 1: - 2: Wert 3: Sollwert 4: - <u>5: Interner Temperaturfühler</u> <u>6: Externer Temperaturfühler</u> <u>7: Feuchte Wert</u> 8: Digital Eingang 1 9: Digital Eingang 2 |
| 5003 (5002) | UINT16 | R/W | Anzuzeigende Einheit | 0: - 1: % 2: °C 3: Pa |
| 5004 (5003) | UINT16 | R/W | Kleine Anzeige (unten) | 0: Nichts anzeigen 1: - 2: Wert 3: Sollwert 4: - 5: Interner Temperaturfühler 6: Externer Temperaturfühler <u>7: Feuchte Wert</u> 8: Digital Eingang 1 9: Digital Eingang 2 |
| 5005 (5004) | SINT16 | R/W | Sollwert Tag | 20 (Eingabe: 200). 16.0 ... 30.0 |
| 5006 (5005) | SINT16 | R/W | Sollwert Nacht | 20 (Eingabe: 200). 16.0 ... 30.0 |
| 5007 (5006) | SINT16 | R/W | Sollwert Schritte | 0.1, 0.5 , 1.0, 2.0, 5.0 (Eingabe: 5) |
| 5008 (5007) | SINT16 | R/W | Sollwert Untergrenze | 16.0 (Eingabe: 160) |
| 5009 (5008) | SINT16 | R/W | Sollwert Obergrenze | 30.0 (Eingabe: 300) |
| 5010 (5009) | UINT8 | R/W | Senkrechter Balken (rechts) | 0 ... 10 (Eingabe: 0 ... 100) |

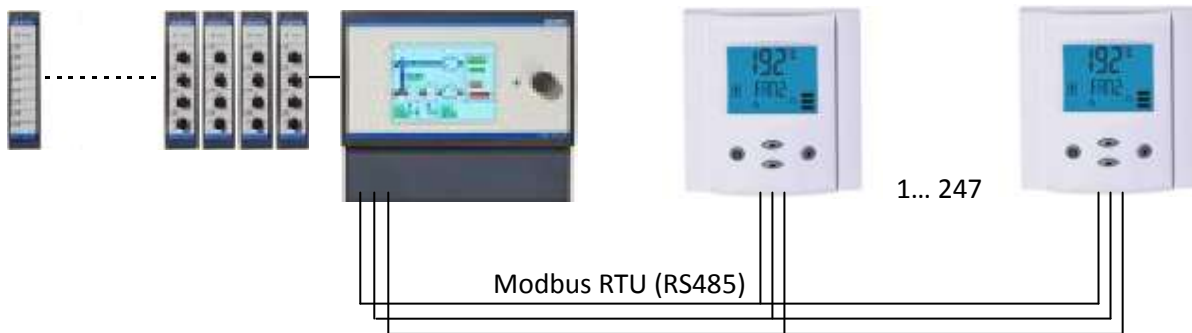
| Adresse | Typ | R/W | Bedeutung | Mögliche Werte (Standard) (ELESTA) |
|-------------|--------|-----|-----------------------------|---|
| 5011 (5010) | UINT16 | R/W | Text LP1 / St1 Zeichen 1 | 32 " " <u>32</u> " " |
| 5012 (5011) | UINT16 | R/W | Text LP1/ St1 Zeichen 2 | 76 "L" <u>83</u> "S" |
| 5013 (5012) | UINT16 | R/W | Text LP1/ St1 Zeichen 3 | 80 "P" <u>116</u> "T" |
| 5014 (5013) | UINT16 | R/W | Text LP1/ St1 Zeichen 4 | 49 "1" <u>49</u> "1" |

| Adresse | Typ | R/W | Bedeutung | Mögliche Werte (Standard) (ELESTA) |
|------------------|--------|-----|----------------------------|--|
| 10001 (10000) | UINT16 | R/W | Temperaturfühler intern | 0: Fühler gesperrt 1: Fühler freigegeben |
| 10002 (10001) | UINT16 | R | Fühler Status | 0: OK 1: Fehler |
| 10003 (10002) | SINT16 | R | Fühler Wert | Temperatur (z.B. 15.7 °C - Ausgabe: 157) |
| 10004 (10003) | SINT16 | R/W | Fühler Offset | -12.7 ... 0 ... 12.7 °C (Eingabe: 127) |
| | | | | |
| 10101 (10100) | UINT16 | R/W | Feuchte Fühler | 0: Fühler gesperrt 1: Fühler freigegeben |
| 10102 (10101) | UINT16 | R | Fühler Status | 0: OK 1: Fehler |
| 10103 (10102) | SINT16 | R | Fühler Wert | Feuchte (z.B. 35.4 % - Ausgabe: 354) |
| 10104 (10103) | SINT16 | R/W | Fühler Offset | -12.7 ... 0 ... 12.7 % (Eingabe: 127) |
| | | | | |
| 10201 (10200) | UINT16 | R/W | Temperaturfühler extern | 0: Fühler gesperrt 1: Fühler freigegeben |
| 10202 (10201) | UINT16 | R | Fühler Status | 0: OK 1: Fehler |
| 10203 (10202) | SINT16 | R | Fühler Wert | Temperatur (z.B. 15.7 °C - Ausgabe: 157) |
| 10204 (10203) | SINT16 | R/W | Fühler Offset | -12.7 ... 0 ... 12.7 °C (Eingabe: 127) |
| | | | | |
| 10301 (10300) | UINT16 | R/W | Digital Eingang 1 | 0: Normalmodus digital 1: Fensterkontakt 2: Bewegungsmelder |
| 10302 (10301) | UINT16 | R | Eingang 1 Wert | 0, 1 |
| | | | | |
| 10401 (10400) | UINT16 | R/W | Digital Eingang 2 | 0: Normalmodus digital 1: Fensterkontakt 2: Bewegungsmelder |
| 10402 (10401) | UINT16 | R | Eingang 2 Wert | 0, 1 |

| Adresse | Typ | R/W | Bedeutung | Mögliche Werte (Standard) (ELESTA) |
|------------------|--------|-----|----------------------------------|---|
| 11001 (11000) | UINT16 | R/W | Ventilator String 1 Zeichen 1 | <u>65</u> "A" |
| 11002 (11001) | UINT16 | R/W | Ventilator String 1 Zeichen 2 | <u>117</u> "u" |
| 11003 (11002) | UINT16 | R/W | Ventilator String 1 Zeichen 3 | <u>116</u> "t" |
| 11004 (11003) | UINT16 | R/W | Ventilator String 1 Zeichen 4 | <u>111</u> "o" |
| | | | | "Auto" "Auto" |
| 11005 (11004) | UINT16 | R/W | Ventilator String 2 Zeichen 1 | <u>70</u> "F" <u>83</u> "S" |
| 11006 (11005) | UINT16 | R/W | Ventilator String 2 Zeichen 2 | <u>65</u> "A" <u>116</u> "t" |
| 11007 (11006) | UINT16 | R/W | Ventilator String 2 Zeichen 3 | <u>78</u> "N" <u>32</u> " " |
| 11008 (11007) | UINT16 | R/W | Ventilator String 2 Zeichen 4 | <u>49</u> "1" <u>49</u> "1" |
| | | | | "FAN1" "St 1" |
| 11009 (11008) | UINT16 | R/W | Ventilator String 3 Zeichen 1 | <u>70</u> "F" <u>83</u> "S" |
| 11010 (11009) | UINT16 | R/W | Ventilator String 3 Zeichen 2 | <u>65</u> "A" <u>116</u> "t" |
| 11011 (11010) | UINT16 | R/W | Ventilator String 3 Zeichen 3 | <u>78</u> "N" <u>32</u> " " |
| 11012 (11011) | UINT16 | R/W | Ventilator String 3 Zeichen 4 | <u>50</u> "2" <u>50</u> "2" |
| | | | | "FAN2" "St 2" |
| 11013 (11012) | UINT16 | R/W | Ventilator String 4 Zeichen 1 | <u>70</u> "F" <u>83</u> "S" |
| 11014 (11013) | UINT16 | R/W | Ventilator String 4 Zeichen 2 | <u>65</u> "A" <u>116</u> "t" |
| 11015 (11014) | UINT16 | R/W | Ventilator String 4 Zeichen 3 | <u>78</u> "N" <u>32</u> " " |
| 11016 (11015) | UINT16 | R/W | Ventilator String 4 Zeichen 4 | <u>51</u> "3" <u>51</u> "3" |
| | | | | "FAN3" "St 3" |

Reduzierte ASCII Tabelle für das 7-Segment Display

| ASCII | Zeichen | | ASCII | Zeichen | | ASCII | Zeichen |
|-------|-------------|--|-------|---------|--|-------|---------|
| 32 | Leerzeichen | | 65 | A | | 98 | b |
| 45 | - | | 66 | B | | 99 | c |
| 48 | 0 | | 67 | C | | 100 | d |
| 49 | 1 | | 69 | E | | 103 | g |
| 50 | 2 | | 70 | F | | 104 | h |
| 51 | 3 | | 72 | H | | 108 | l |
| 52 | 4 | | 73 | I | | 110 | n |
| 53 | 5 | | 76 | L | | 111 | o |
| 54 | 6 | | 78 | N | | 112 | p |
| 55 | 7 | | 79 | O | | 113 | q |
| 56 | 8 | | 80 | P | | 114 | r |
| 57 | 9 | | 83 | S | | 116 | t |
| | | | 85 | U | | 117 | u |
| | | | 95 | _ | | 121 | y |



Manuelle Konfiguration der Geräte Adresse



gleichzeitig drücken, bis



auf dem Display erscheint.



drücken



erscheint auf dem Display.

Den "nach oben" – Knopf drücken, bis



angezeigt wird.



drücken



erscheint auf dem Display (Adresse 01).



drücken - drei Dreiecke erscheinen am unteren Rand des Displays



Adresse (01 ... 32) mit den "nach oben" – und "nach unten" Knöpfen einstellen



drücken. Die Einstellung wird übernommen



drücken, um die Adress-Einstellung abzuschließen.
