

Datasheet



RCO 682D-S

Application

The Controlestas RCO 682D-S is a graphical 10,1" touch operator panel for the building automation system Controlestas RCO. The operator panel connects to the embedded web server of a controller of the RCO 8...D-W, RCO9...D-W series over the TCP/IP network. Animated visualizations for graphical operation, setpoints, time schedules, etc. can be changed, trends can be visualized, alarms are displayed and can be acknowledged.

Features



- efficient engineering over the RCO Tool
- Touch operated
- LED-backlight
- Approved to European EMC standards CENELEC EN 50 082-1 and EN 55 011
- CE-Approval

Environmental conditions

Operating temperature -10 ... 60 °C
Ambient humidity 10 ... 90 % rH, non condensing
Protection class III

Model

Housing Aluminium, for door mounting
Production according to ROHS
Dimensions W x H x D, 276 x 192 x 34 mm
Weight 2000 g

Electrical data

Power supply wall power supply 100-240VAC / 12 VDC
Power consumption 11,0 W
Protection acc. to EN 60529 IP 65 (front side)

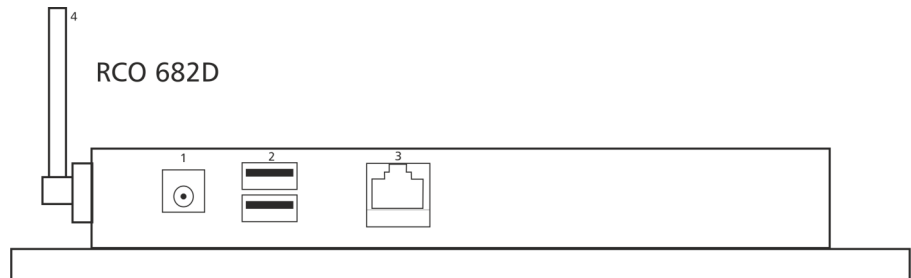
Functional data

Screen diagonal 10,1"/25,65cm
Display active screen size 217 x 136 mm
Aspect ratio 16:10
Display Type TFT-LCD
Resolution 1280 x 800 Pixel
Colours displayed 16,7Mio
Brightness 350 cd/m²
Contrast 700:1
Visual Angle 170°(H) / 170°(V)
Reaction time 15 ms
Backlight LED-backlight

Operation

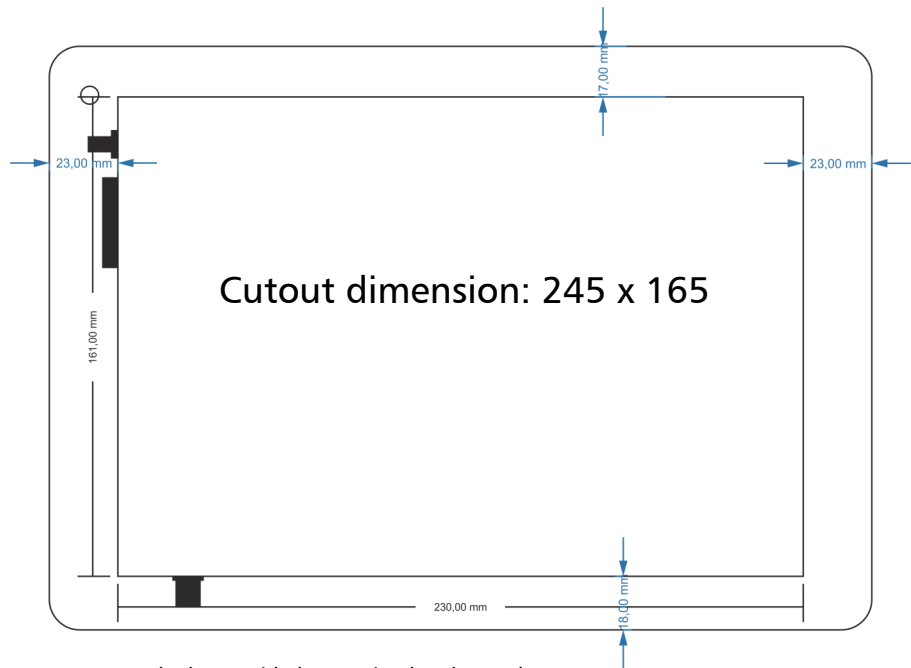
The operation can be done via a short tap on the icons or buttons of the freely configurable user interface.

Terminal assignment



1. Power
2. USB (not required)
3. RJ45 for connection to the TCP/IP network
4. Wireless antenna for connection to a wireless network

Dimension drawing



Use only the provided mounting bracket and screws.
Otherwise the warranty is void.

Scope of delivery

- RCO 682D-S
- Wall power supply 100-240 VAC / 12 VDC
- Mounting bracket
- Lens head screws 4x14
- Chopper disc

Additional Information

This document, as well as the user manual for operation and configuration of the ELESTA webpanel app can be found at www.elesta.de.

https://elesta.de/en/touch_en/
Or just scan the QR-Code on the first page of this document.