

Datasheet



RCO683D-S



Application

The Controlestas RCO683D-S is a graphical 10,1" touch operator panel for the building automation system Controlestas RCO. The operator panel connects to the embedded web server of a controller of the RCO8...D-W, RCO9...D-W series over the TCP/IP network. Animated visualizations for graphical operation, setpoints, time schedules, etc. can be changed, trends can be visualized, alarms are displayed and can be acknowledged.

Features



- efficient engineering over the RCOTool
- Touch operated
- LED-backlight
- Approved to European EMC standards CENELECEN50082-1 and EN 55 011
- CE-Approval

Environmental conditions

Operating temperature -10 ... 60 °C
Ambient humidity 10 ... 90 % rH, non condensing
Protection class III

Model

Housing Aluminium, for door mounting
Production according to ROHS
Dimensions W x H x D, 279 x 205 x 34 mm
Weight 2000 g

Electrical data

Power supply wall power supply 100-240VAC / 12 VDC
Power consumption 11,0 W
Protection acc. to EN 60529 IP 65 (front side)

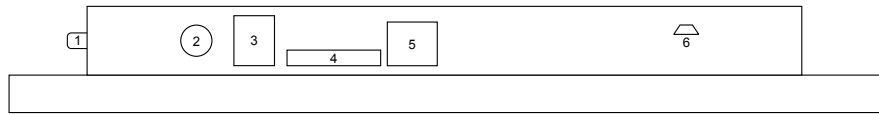
Functional data

Screen diagonal 10,1"/25,65cm
Display active screen size 217 x 136 mm
Aspect ratio 16:10
Display Type TFT-LCD
Resolution 1280 x 800 Pixel
Colours displayed 16,7Mio
Brightness 350 cd/m²
Contrast 700:1
Visual Angle 170°(H) / 170°(V)
Reaction time 15 ms
Backlight LED-backlight

Operation

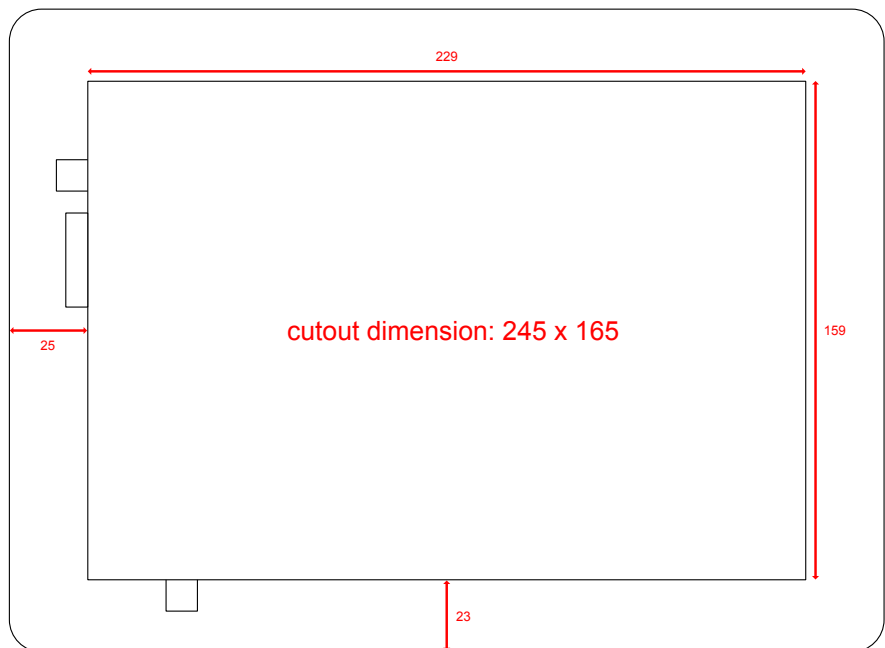
The operation can be done via a short tap on the icons or buttons of the freely configurable user interface.

Terminal assignment



- | | |
|--------------------------|---|
| 1 WiFi antenna connector | To connect to a WiFi Network |
| 2 Power supply socket | Socket for the supplied Plug-in power supply unit |
| 3 USB sockets | For USB-Sticks or similar |
| 4 SD-card slot | For SD-cards |
| 5 Network socket | RJ45 socket for the network connection |
| 6 Programminginterface | OTG interface |

Dimension drawing



Important information

Use **only** the **provided mounting** bracket and screws.
Otherwise the warranty is void.

Only use shielded patch cables (S-UTP/SF-UTP/S-FTP/SF-FTP/S-STP)!

Scope of delivery

RCO683D-S
Wall power supply 100-240 VAC / 12 VDC
Mounting bracket
Lens head screws 4x14
Chopper disc

Additional Information

This document, as well as the user manual for operation and configuration of the ELESTA webpanel app can be found at www.elesta.de.

https://elesta.de/en/touch_en/
Or just scan the QR-Code on the first page of this document.